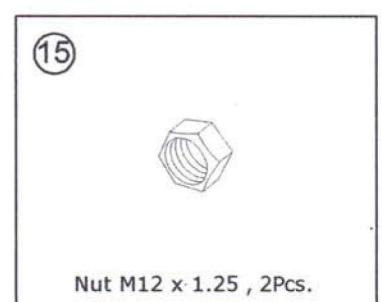
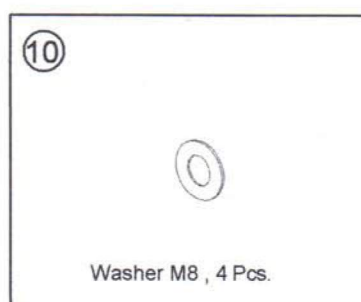
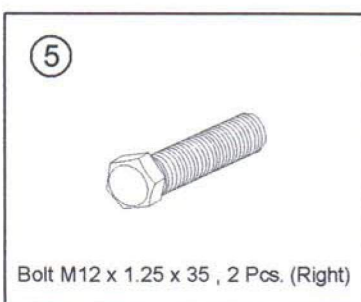
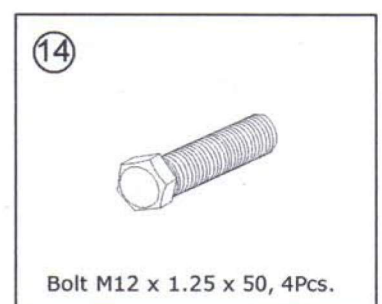
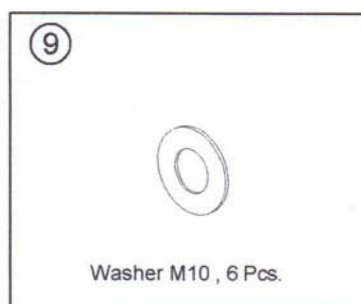
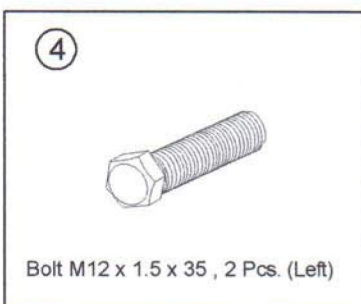
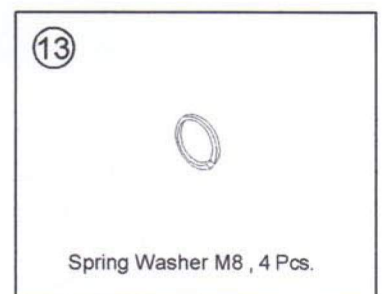
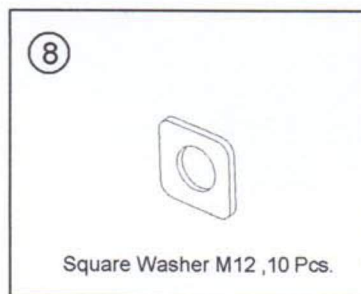
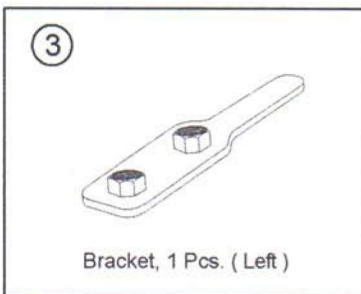
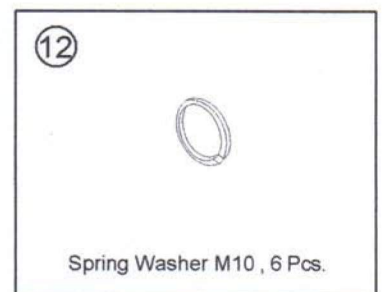
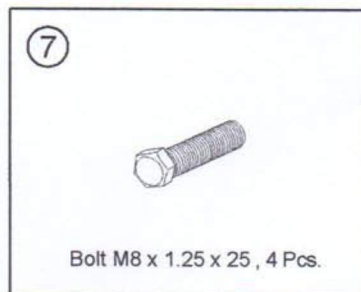
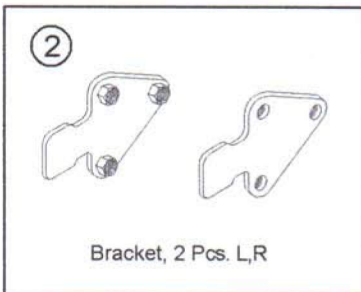
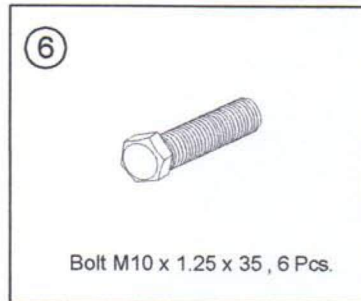
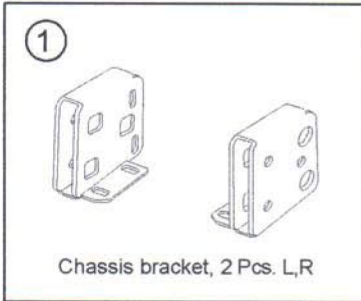
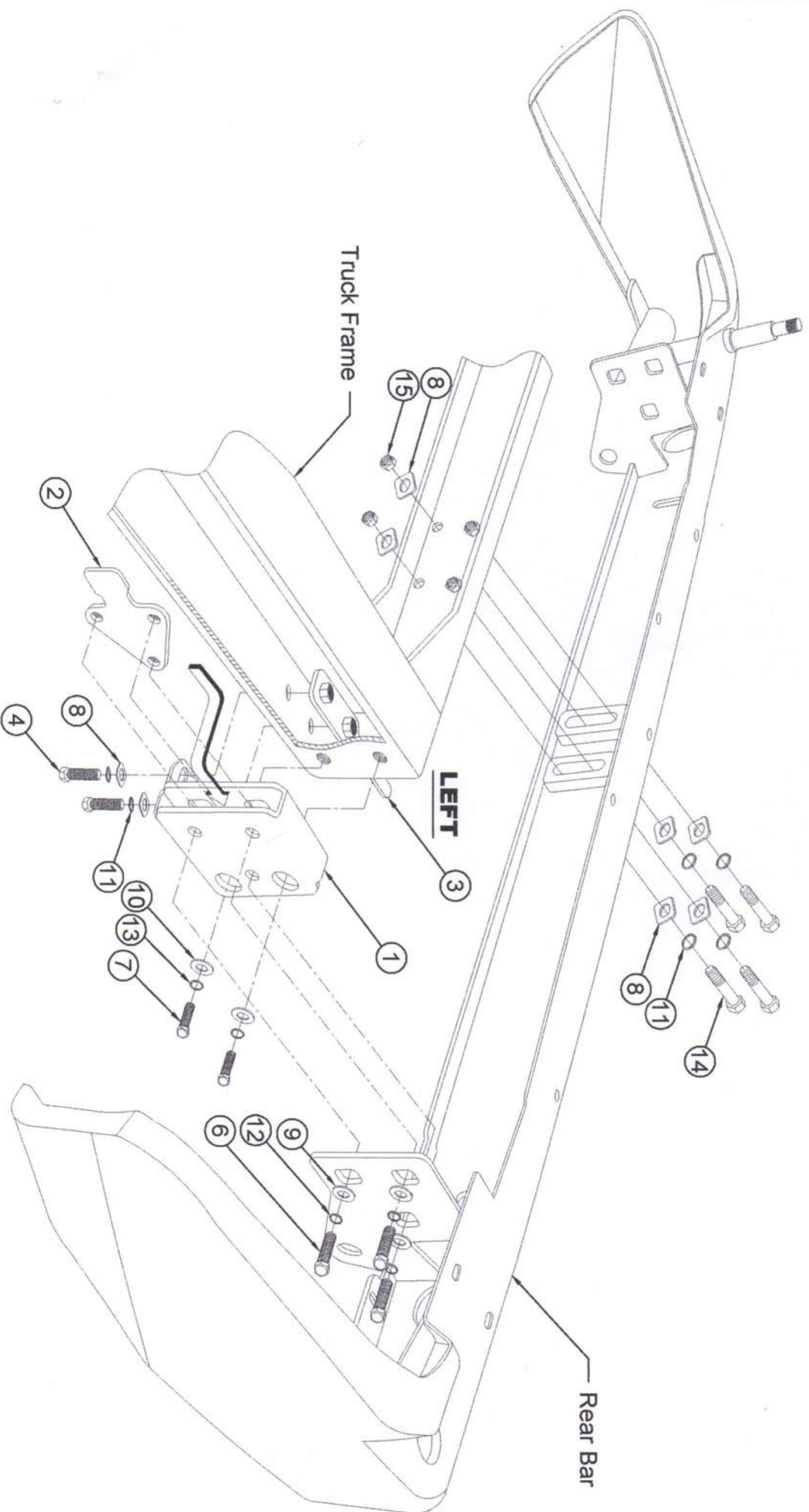


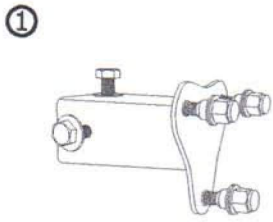
TOYOTA LANDCRUISER 80 SERIES REAR BAR





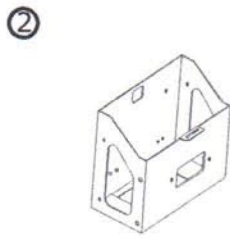
TOYOTA LANDCRUISER 80 SERIES REAR BAR





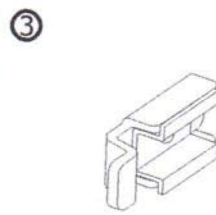
①

Adjustable Offset Head, 1Pc.



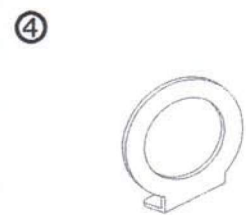
②

Jerrycan Holder, 1Pc.



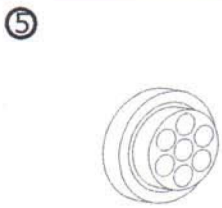
③

Lock Arm, 2Pcs.



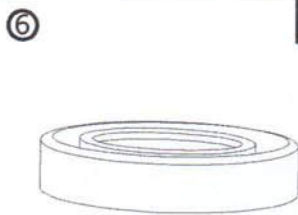
④

Cover LED. Light, 2Pcs.



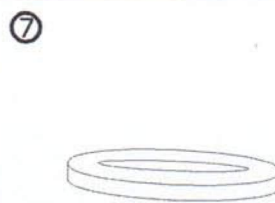
⑤

LED. Light, 2Pcs.



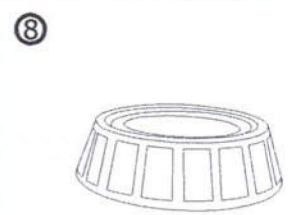
⑥

Seal Waterproof, 2Pcs.



⑦

Support Washer M30, 4Pcs.



⑧

Main Bearing, 2Pcs.



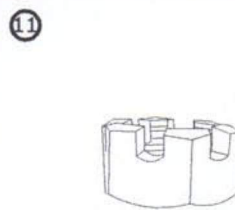
⑨

Support Bearing, 2Pcs.



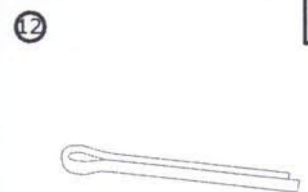
⑩

Support Washer M20, 2Pcs.



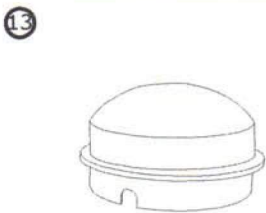
⑪

Nut M22 x 1.5, 2Pcs.



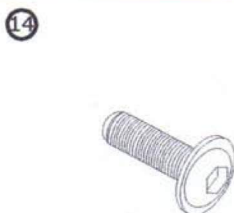
⑫

Pin, 2Pcs.



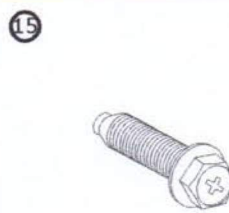
⑬

Cover, 2Pcs.



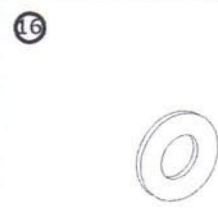
⑭

Bolt M6 x 1 x 15, 10Pcs.



⑮

Bolt M6 x 1 x 15, 2Pcs.



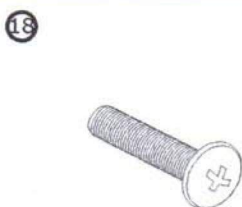
⑯

Washer M6, 8Pcs.



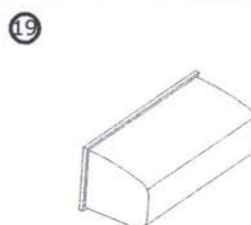
⑰

Nut M6 x 1, 8Pcs.



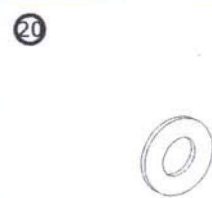
⑱

Bolt M4 x 0.5 x 15, 2Pcs.



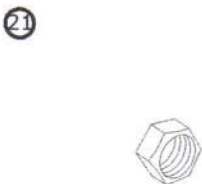
⑲

Number Plate Light, 1Pc.



⑳

Washer M4, 2Pcs.



㉑

Nut M4 x 0.5, 2Pcs.



TOYOTA LANDCRUISER 80 SERIES REAR BAR

